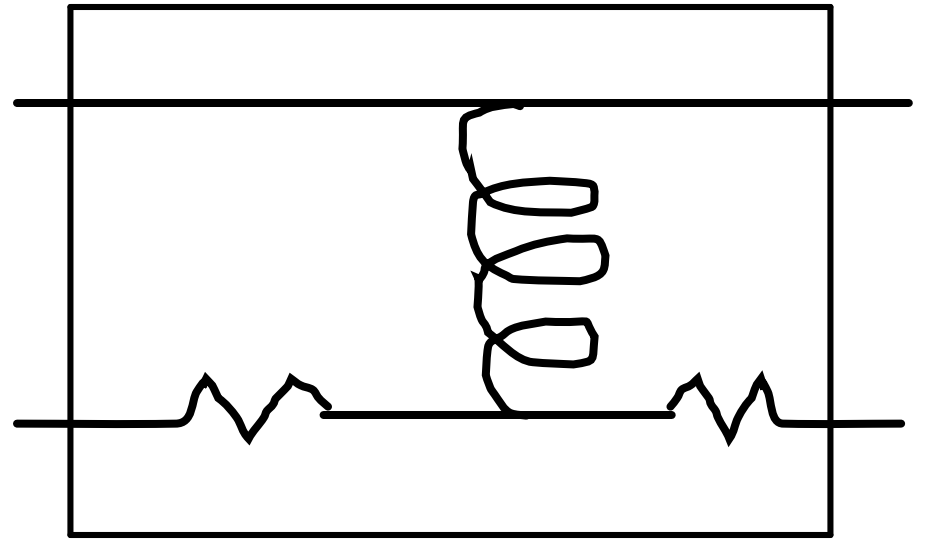
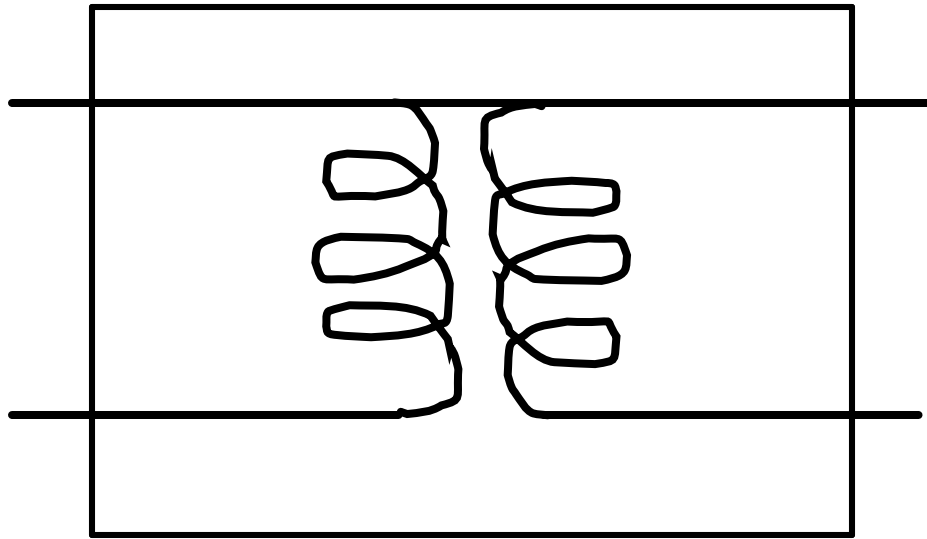


Jump Start System Requirements

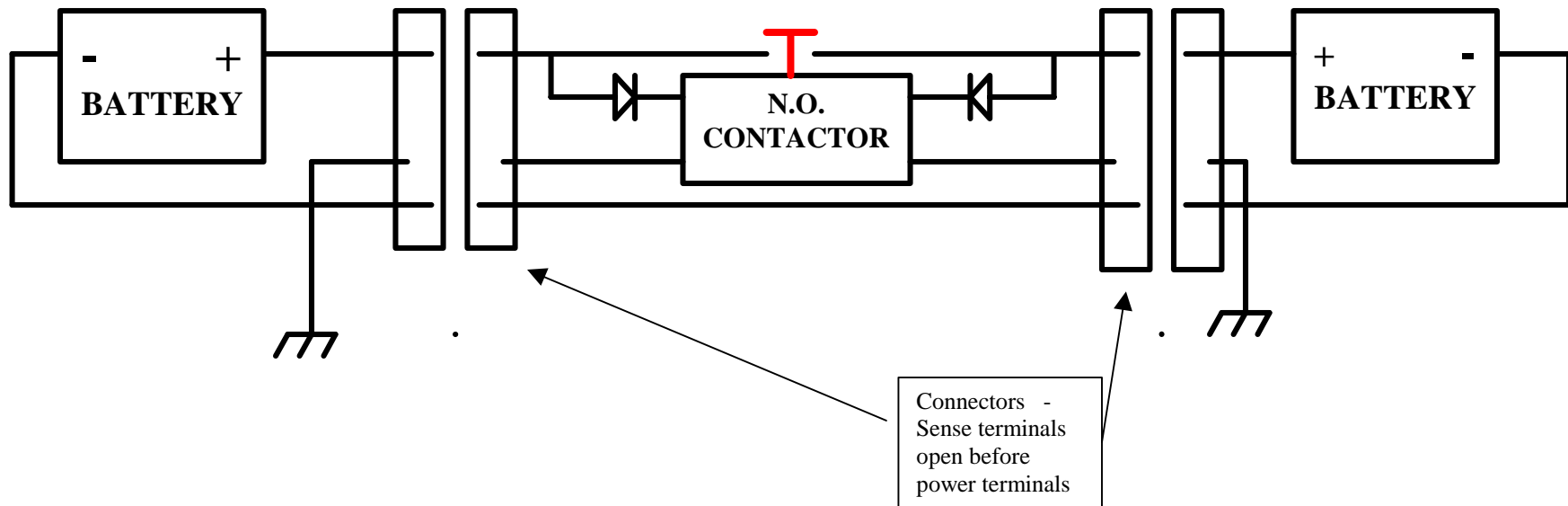
- Provide a power connection between two 42V vehicles capable of providing cranking current (up to ~500 amps)
- Prevent reverse connections during a jump start
- Prevent connections between 12V and 36V batteries
- Protect the connectors from arcing during mating and unmating

- Assume connection could be opened while cranking
- Assume connection could be opened while supporting a vehicle's (engine running or not running) electrical loads

Jump Start Contactor Proposals



Jumper Cables



Contactor opening/closing time must be less than time to move connector from position that disengages the sense terminals to the position that opens the power terminals or vice versa.